

Broderson IC-80-2D Carry Deck

General:

- **Standard Drive Axle** - 14,530 lbs.
- **Optional Drive Steer Axle** - 14,830 lbs.
- **Travel Speeds (calculated)** - Standard Drive Axle 1st gear 5.4, 2nd gear 11.0, 3rd gear 20, 4th n/a; Optional Drive Axle 1st gear 3.0, 2nd gear 6.5, 3rd gear 12.0, 4th gear 20.0
- **Gradeability** - 43% standard, 71% optional
- **Drawbar pull (pounds)** - Standard Drive Axle 1st gear 7,050*, 2nd gear 3,450, 3rd gear 1,880, 4th gear n/a; Optional Drive Axle 1st gear 11,900*, 2nd gear 5,820*, 3rd gear 3,170, 4th gear 1,880
- **Turning radius** - (C/L of Outside Steering Wheel): 14' 8" Standard, 10' 2" Optional
- Aisle Width for 90° Turn:

Engine

- **Standard** - Continental TM27, 4 cyl., 165 C.I.D., 64 hp at governed speed
- **Optional** - John Deere 4.239, 4 cyl., 239 C.I.D., 80 hp at governed speed
- **Optional** - Perkins D4.203, 4 cyl., 203 C.I.D., 63 hp at governed speed
- **Optional** - Cummins 4B3.9, 4 cyl., 239 C.I.D., 76 hp at governed speed

Electrical:

- **12 volt system**
- **Lighting package:** one pair headlights with hi and low beams, back-up lights, integral tail, brake and turn signals and front turn signals
- **Instrument package:** fuel, ammeter, oil pressure, water temperature, convertor oil temperature gauges and hourmeter
- **Backup alarm:** provides pulsating sound when transmission is in reverse



Tires

- **Standard** - 9.00 x 15, 12 ply rating, highway tread
- **Optional** - 10.00 x 15, 12 ply rating, highway tread
- **Optional** - 10.00 x 15, 14 ply rating, mining & industrial tread
- **Optional** - Grizzly Supersoft XS250 x 15 Solid Rubber
- **Optional** - Foam Filling for the Above Pneumatic Tires

Fuel Tank

- 20 gallon capacity

Outriggers

- Four Hydraulic Outriggers of Box Beam Construction with Direct-Connected Holding Valves. Independent Controls for Left and Right Hand Outriggers. Outrigger Pad Dimension 9" x 12"

Cargo Deck

- 62 square feet; 12,000 lbs capacity; steps located on front corners

Hydraulic System

Transmission

- **Make/Model** - Borg Warner, 72T/T18, Reversing Gearbox and Manual Shift Three Speed Gearbox*. Equipped with torque convertor and transmission oil cooler.
- **Gear ratio:** Forward - 1st gear 6.234:1, 2nd gear 3.092:1, 3rd gear 1.686:1, 4th gear 1:1; Reverse - 1st gear 6.956:1, 2nd gear 3.401:1, 3rd gear 1.855:1, 4th gear 1:1
- Torque convertor has stall ratio of 2.15:1
- 4-speed gearbox only available with 4-wheel steer option

Axles

- **Standard Drive Axle** - Rockwell F-146, 7.2:1, Front
- **Optional Drive Axle** - Hurth 272A, 11.98:1, Front
- **Steering Axle (Non-driving)** Rockwell FF-931, Rear

Brakes

- **Service** - 4-wheel drum type brakes, **Parking** - Band Type Mounted on Transmission

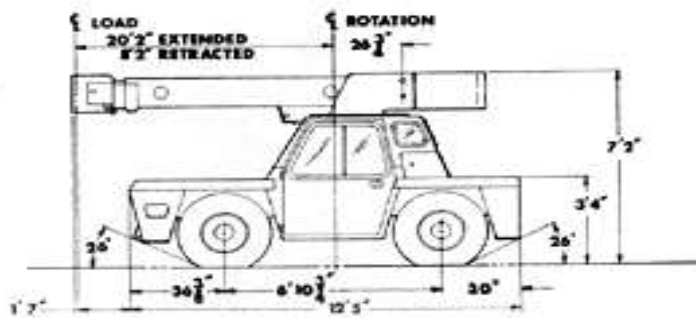
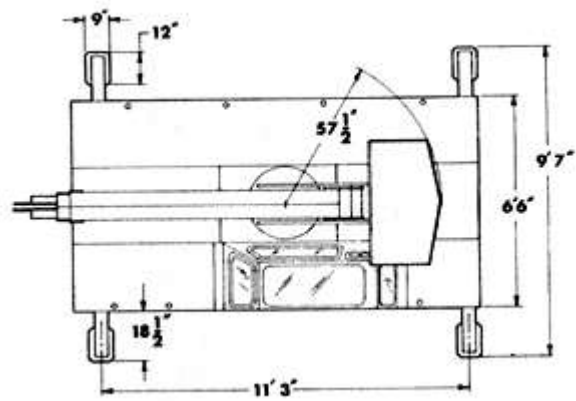
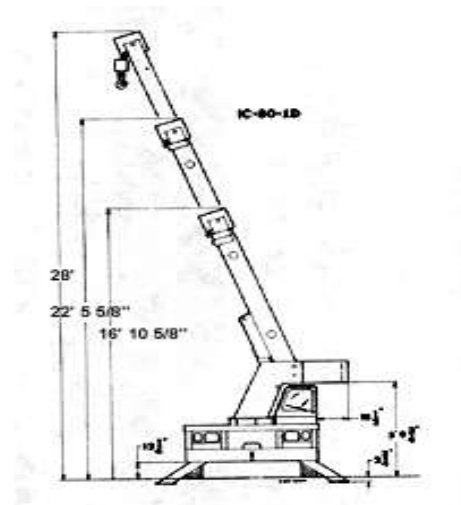
- Tandem pump, direct-driven by engine crankshaft, rated at 16 and 32.5 GPM at rated RPM. Hydraulic oil tank capacity of 16 gallons.

Steering:

- **Standard:** Full hydraulic orbitrol unit with two double-acting hydraulic cylinders attached to rear axle; **Optional:** Full hydraulic orbitrol unit with two double-acting hydraulic cylinders attached to both front and rear axles. Steering modes include: rear wheel steer; round steer

Crane

- **Boom Movement:** Continuous rotation; 0° to 70° Elevation; 9' 6" to 24' Extension
- **Boom Speeds:** 1.7 RPM rotation; 10 seconds Elevation; 34 seconds Extension
- **Boom Assembly:** Three-section boom assembly equipped with bearing pads, double acting hydraulic cylinders with direct-connected holding valves and boom angle indicator on each side of boom.
- **Boom rotation:** Heavy-duty ball bearing rotation gear with external teeth. Rotation is powered by hydraulic motor and worm gear drive
- **Boom winch:** Turret-mounted, Hydraulic powered, Bare drum line pull of 10,000 pounds, Winch line speed of 110 FPM, 105 feet of 9/16" wire rope, Downhaul weight and swivel hook
- **Anti-two Block Device:** Prevents damage to hoist rope and/or crane components from pulling load hook against tip



Broderon IC-80-2D Carry Deck

24' MAIN BOOM ONLY, ON OUTRIGGERS, FULL CWT, 360 DEG, 85% CAP, []					
Boom Length (ft)	Load Radius (ft)	Boom Angle (deg)	Jib Length (ft)	Jib Offset (deg)	Capacity (lbs)
24.0	3.0	*	*	*	17,000
24.0	6.0	*	*	*	14,300
24.0	8.0	*	*	*	10,250
24.0	10.0	*	*	*	7,700
24.0	12.0	*	*	*	6,550
24.0	14.0	*	*	*	5,550
24.0	16.0	*	*	*	4,450
24.0	18.0	*	*	*	3,950
24.0	20.0	*	*	*	3,250
24.0	22.0	*	*	*	2,875
24.0	24.0	*	*	*	2,475

24' MAIN BOOM ONLY, ON TIRES, FULL CWT, 360 DEG, 75% CAP, []					
Boom Length (ft)	Load Radius (ft)	Boom Angle (deg)	Jib Length (ft)	Jib Offset (deg)	Capacity (lbs)
24.0	3.0	*	*	*	9,500
24.0	6.0	*	*	*	8,300
24.0	8.0	*	*	*	6,000
24.0	10.0	*	*	*	4,150
24.0	12.0	*	*	*	3,025
24.0	14.0	*	*	*	2,350
24.0	16.0	*	*	*	1,850
24.0	18.0	*	*	*	1,550
24.0	20.0	*	*	*	1,300
24.0	22.0	*	*	*	1,100
24.0	24.0	*	*	*	925