

Load Rating Chart

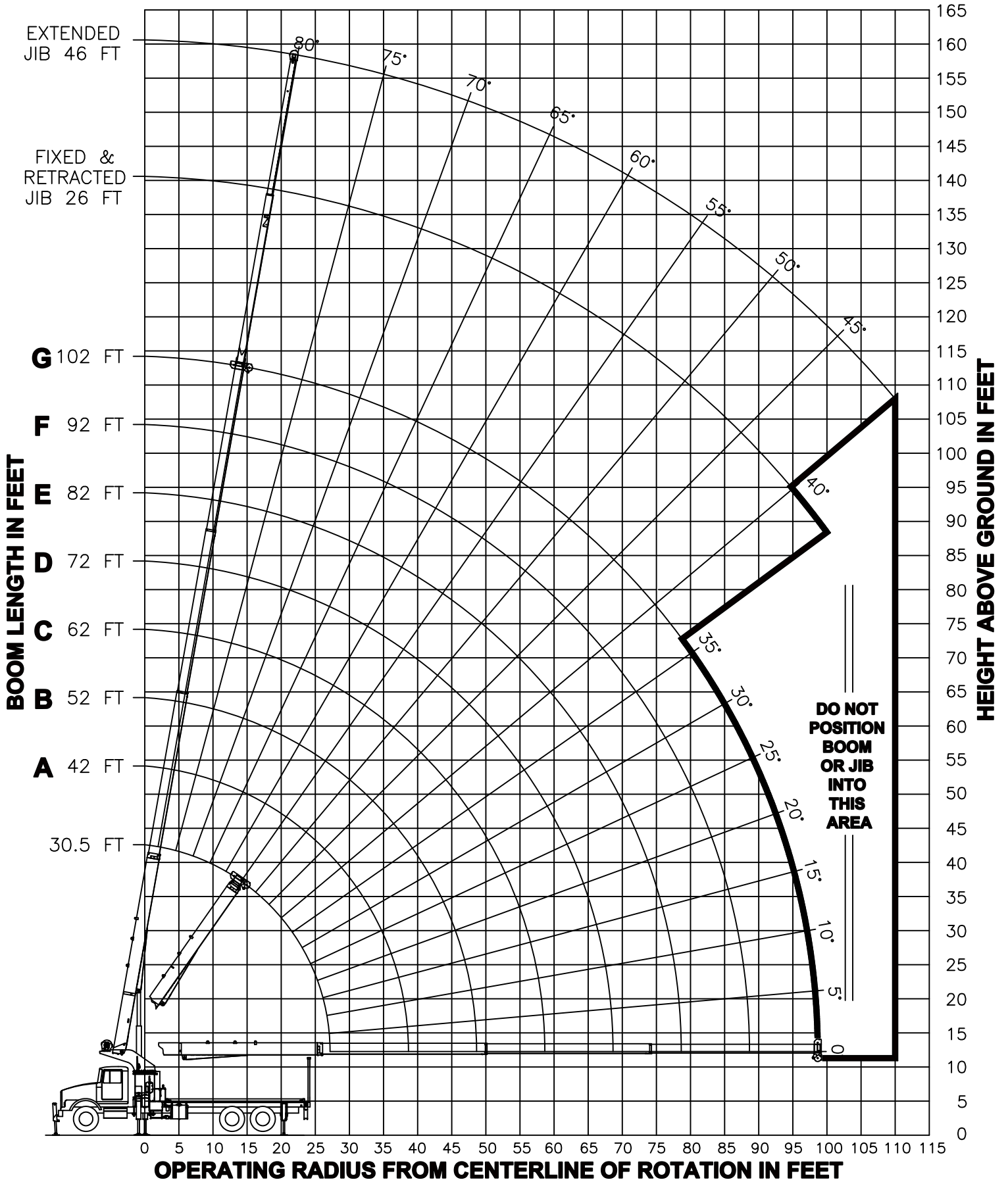
Model 30102C

Manitex

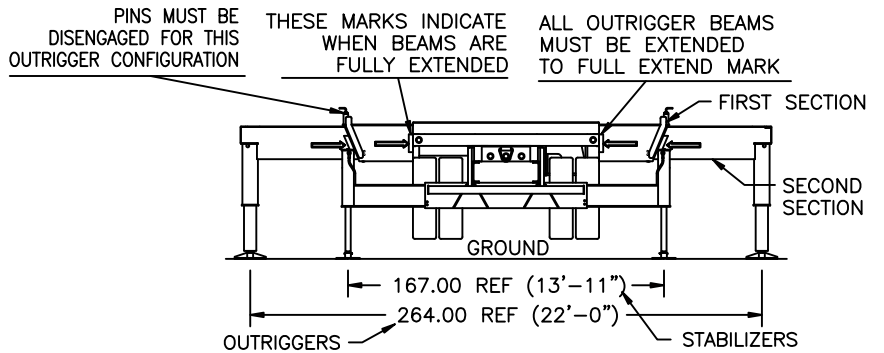
© Manitex

NOTE: Additional copies of this Load Rating Chart can be purchased from your Manitex Distributor. When ordering, use the part number shown in the bottom left corner of this page.

RANGE DIAGRAM - FULL SPREAD CONFIGURATION -



**USE THIS CHART ONLY
WHEN OUTRIGGERS
AND STABILIZERS ARE
FULLY EXTENDED**



- FULL SPREAD OUTRIGGER CONFIGURATION -

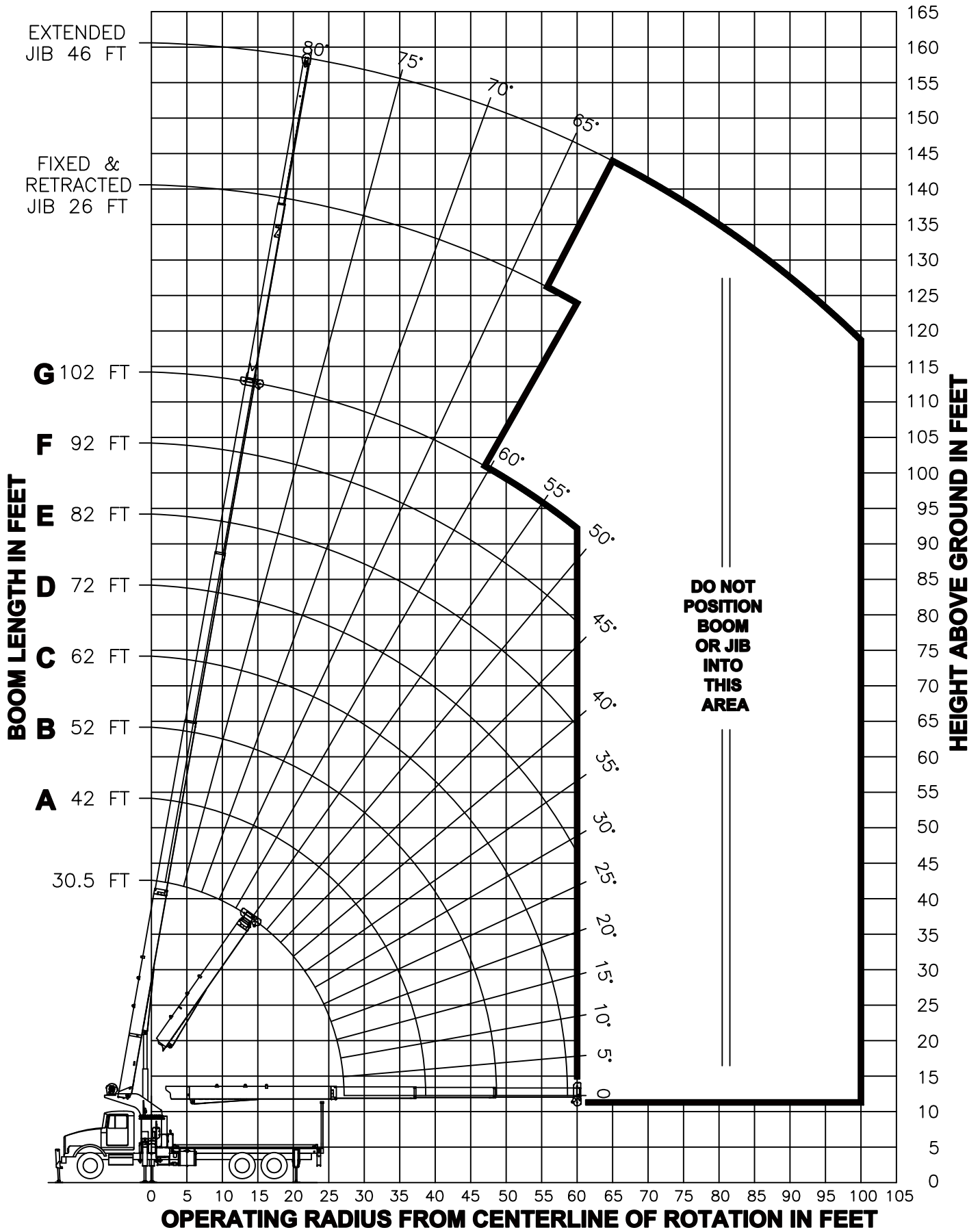
MAIN BOOM LMI CODE 1																	
LOAD RADIUS (FT)	30.5 FT		42 FT (A)		52 FT (B)		62 FT (C)		72 FT (D)		82 FT (E)		92 FT (F)		102 FT (G)		LOAD RADIUS (FT)
	LOADED BOOM ANGLE (DEG)	LOAD CAPACITY (LBS)	LOADED BOOM ANGLE (DEG)	CODE 1 LOAD CAPACITY (LBS)	LOADED BOOM ANGLE (DEG)	LOAD CAPACITY (LBS)	LOADED BOOM ANGLE (DEG)	LOAD CAPACITY (LBS)	LOADED BOOM ANGLE (DEG)	LOAD CAPACITY (LBS)	LOADED BOOM ANGLE (DEG)	LOAD CAPACITY (LBS)	LOADED BOOM ANGLE (DEG)	LOAD CAPACITY (LBS)	LOADED BOOM ANGLE (DEG)	LOAD CAPACITY (LBS)	
5	76.5	60000															5
8	70.5	38600															8
10	66.5	33600	73.5	25000	77.5	25000											10
12	62.5	29620	71	25000	75	25000	78	25000									12
15	55.5	25510	66.5	23570	71.5	22540	75.5	21640	78	19660	80	16460					15
20	42.5	20200	58.5	18740	65.5	17730	70.5	17340	74	16760	76.5	14330	78.5	12180	80	10300	20
25	24.5	15980	50	15770	59.5	14910	65.5	14220	69.5	13670	73	12570	75.5	10870	77.5	9390	25
30			39.5	13220	52.5	12620	60	12020	65	11510	69.5	11100	72	9590	74.5	8500	30
35			26.5	10420	44.5	10670	54.5	10360	60.5	9910	65.5	9530	68.5	8500	71.5	7630	35
40					35.5	8260	48	8400	55.5	8500	61.5	8570	65.5	7790	68.5	6840	40
45					23.5	6550	41	6700	50.5	6790	57	6860	62	6910	65.5	5920	45
50							33	5420	45	5510	52.5	5580	58	5630	62	5190	50
55							22	4420	38.5	4520	47.5	4590	54	4630	59	4570	55
60									31	3720	42	3790	49.5	3840	55.5	3880	60
65									20.5	3070	36.5	3140	45	3190	51.5	3230	65
70											28.5	2600	40	2650	47.5	2690	70
75											20	2140	34.5	2200	43	2230	75
80													28	1800	38.5	1840	80
85													19	1460	33.5	1500	85
90															27	1210	90
95															18.5	940	95
	500 LBS		360 LBS		290 LBS		250 LBS		210 LBS		190 LBS		170 LBS		150 LBS		FIXED JIB
	740 LBS		540 LBS		440 LBS		370 LBS		320 LBS		280 LBS		250 LBS		220 LBS		TELE JIB

JIB LOAD CAPACITIES

LOAD RADIUS (FT) REF	26 FT FIXED JIB		26 FT TELE JIB		46 FT TELE JIB		LOAD RADIUS (FT) REF
	LOADED BOOM ANGLE (DEG)	CODE 2 LOAD CAPACITY (LBS)	LOADED BOOM ANGLE (DEG)	CODE 3 LOAD CAPACITY (LBS)	LOADED BOOM ANGLE (DEG)	CODE 4 LOAD CAPACITY (LBS)	
25	80	5300	80	5100			25
30	78	5300	78	5100	80	3050	30
35	76	4990	76	4730	78	3050	35
40	74	4580	74	4310	76.5	3050	40
45	71.5	4200	71.5	3920	74.5	3050	45
50	69	3850	69	3560	73	3050	50
55	67	3530	67	3240	71	2890	55
60	64.5	3240	64.5	2940	69	2660	60
65	62	2920	62	2560	67	2440	65
70	59	2570	59	2220	65	2240	70
75	56	2280	56	1930	62.5	2060	75
80	53.5	1990	53.5	1670	60.5	1850	80
85	50.5	1640	50.5	1350	58	1630	85
90	47	1340	47	1050	55.5	1430	90
95	44	1080	44	780	53	1250	95
100	40	850	40	550	50	1020	100
105					47.5	810	105
110					44.5	620	110

DEDUCTIONS FROM MAIN BOOM CAPACITIES FOR STOWED JIB

RANGE DIAGRAM - INTERMEDIATE SPREAD CONFIGURATION - (MID EXTEND)

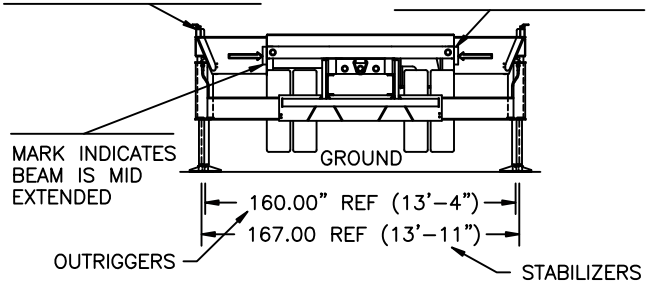


NOTE : LIFTING PERSONNEL WITH CRANE IN THIS OUTRIGGER CONFIGURATION IS STRICTLY PROHIBITED. USE ONLY FULLY EXTENDED OUTRIGGER CONFIGURATION WHEN LIFTING PERSONNEL.

**USE THIS CHART ONLY WHEN FRONT
OUTRIGGERS ARE IN THE
INTERMEDIATE POSITION AND
STABILIZERS
ARE FULLY EXTENDED**

PINS MUST BE ENGAGED
FOR THIS OUTRIGGER
CONFIGURATION

BOTH OUTRIGGER BEAMS
MUST BE EXTENDED TO
MID EXTEND MARK



- INTERMEDIATE SPREAD CONFIGURATION - (MID EXTEND)

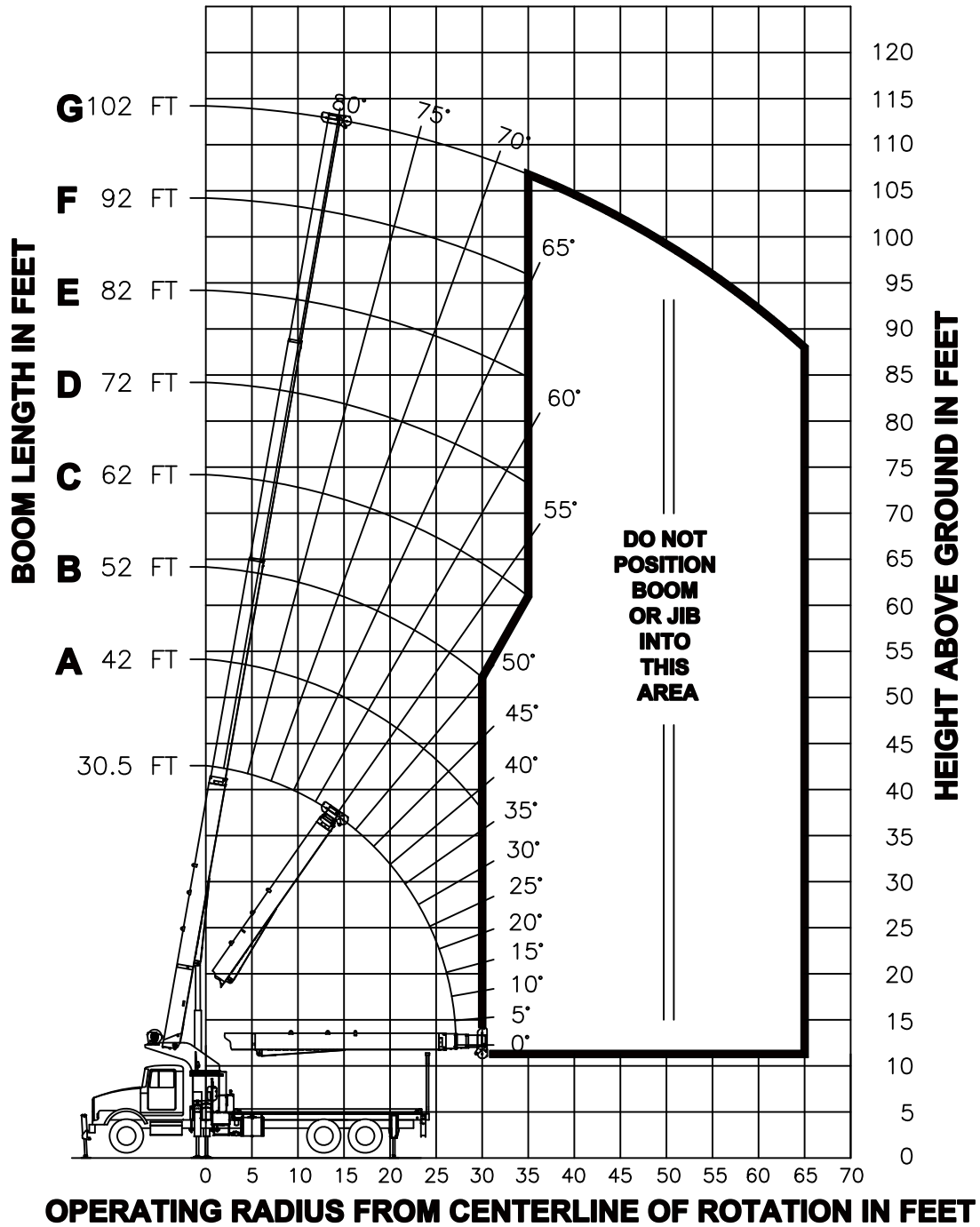
MAIN BOOM LMI CODE 9																	
LOAD RADIUS (FT)	30.5 FT		42 FT (A)		52 FT (B)		62 FT (C)		72 FT (D)		82 FT (E)		92 FT (F)		102 FT (G)		LOAD RADIUS (FT)
	LOADED BOOM ANGLE (DEG)	LOAD CAPACITY (LBS)	LOADED BOOM ANGLE (DEG)	CODE 1 LOAD CAPACITY (LBS)	LOADED BOOM ANGLE (DEG)	LOAD CAPACITY (LBS)	LOADED BOOM ANGLE (DEG)	LOAD CAPACITY (LBS)	LOADED BOOM ANGLE (DEG)	LOAD CAPACITY (LBS)	LOADED BOOM ANGLE (DEG)	LOAD CAPACITY (LBS)	LOADED BOOM ANGLE (DEG)	LOAD CAPACITY (LBS)	LOADED BOOM ANGLE (DEG)	LOAD CAPACITY (LBS)	
5	76.5	60000															5
8	70.5	38600															8
10	66.5	33600	73.5	25000	77.5	25000											10
12	62.5	29620	71	25000	75	25000	78	25000									12
15	55.5	22760	66.5	23290	71.5	22450	75.5	21640	78	19660	80	16460					15
20	42.5	12740	58.5	13190	65.5	13410	70.5	13560	74	13660	76.5	13740	78.5	12180	80	10300	20
25	24.5	8150	50	8600	59.5	8800	65.5	8930	69.5	9020	73	9090	75.5	9140	77.5	9180	25
30			39.5	5960	52.5	6160	60	6280	65	6370	69.5	6430	72	6480	74.5	6520	30
35			26.5	4250	44.5	4450	54.5	4570	60.5	4650	65.5	4710	68.5	4760	71.5	4790	35
40					35.5	3240	48	3370	55.5	3450	61.5	3510	65.5	3550	68.5	3590	40
45					23.5	2350	41	2480	50.5	2560	57	2620	62	2660	65.5	2690	45
50							33	1790	45	1870	52.5	1930	58	1970	62	2010	50
55							22	1240	38.5	1330	47.5	1390	54	1430	59	1460	55
60									31	880	42	940	49.5	980	55.5	1020	60
65																	65
70																	70
75																	75
80																	80
85																	85
90																	90
95																	95
	500 LBS		360 LBS		290 LBS		250 LBS		210 LBS		190 LBS		170 LBS		150 LBS		FIXED JIB
	740 LBS		540 LBS		440 LBS		370 LBS		320 LBS		280 LBS		250 LBS		220 LBS		TELE JIB

JIB LOAD CAPACITIES

LOAD RADIUS (FT) REF	26 FT FIXED JIB		26 FT TELE JIB		46 FT TELE JIB		LOAD RADIUS (FT) REF
	LOADED BOOM ANGLE (DEG)	CODE 10 LOAD CAPACITY (LBS)	LOADED BOOM ANGLE (DEG)	CODE 11 LOAD CAPACITY (LBS)	LOADED BOOM ANGLE (DEG)	CODE 12 LOAD CAPACITY (LBS)	
25	80	5300	80	5100			25
30	78	5300	78	5100	80	3050	30
35	76	4930	76	4630	78	3050	35
40	74	3710	74	3410	76.5	3050	40
45	71.5	2810	71.5	2500	74.5	3030	45
50	69	2110	69	1810	73	2320	50
55	67	1560	67	1260	71	1760	55
60	64.5	1120	64.5	810	69	1310	60
65					67	930	65
70							70
75							75
80							80
85							85
90							90
95							95
100							100
105							105
110							110

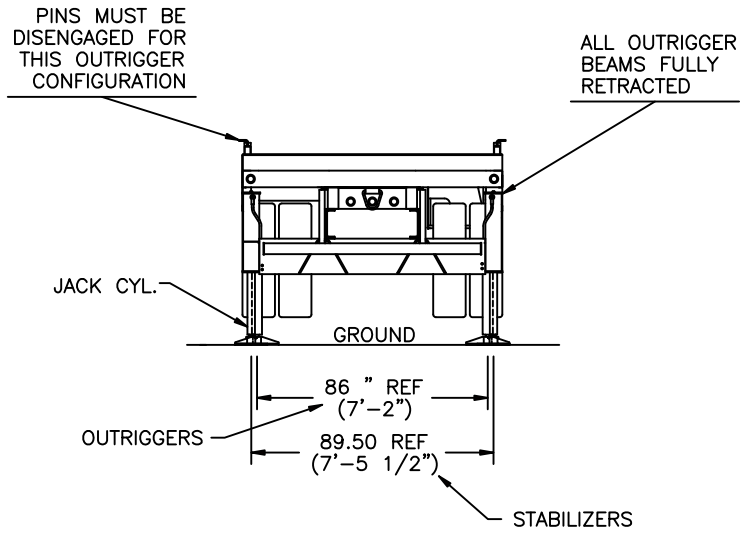
DEDUCTIONS FROM MAIN BOOM CAPACITIES FOR STOWED JIB

RANGE DIAGRAM - FULLY RETRACTED SPREAD CONFIGURATION -



NOTE : LIFTING PERSONNEL WITH CRANE IN THIS OUTRIGGER CONFIGURATION IS STRICTLY PROHIBITED. USE ONLY FULLY EXTENDED OUTRIGGER CONFIGURATION WHEN LIFTING PERSONNEL.

**USE THIS CHART
ONLY WHEN
OUTRIGGERS AND
STABILIZERS ARE
FULLY RETRACTED**



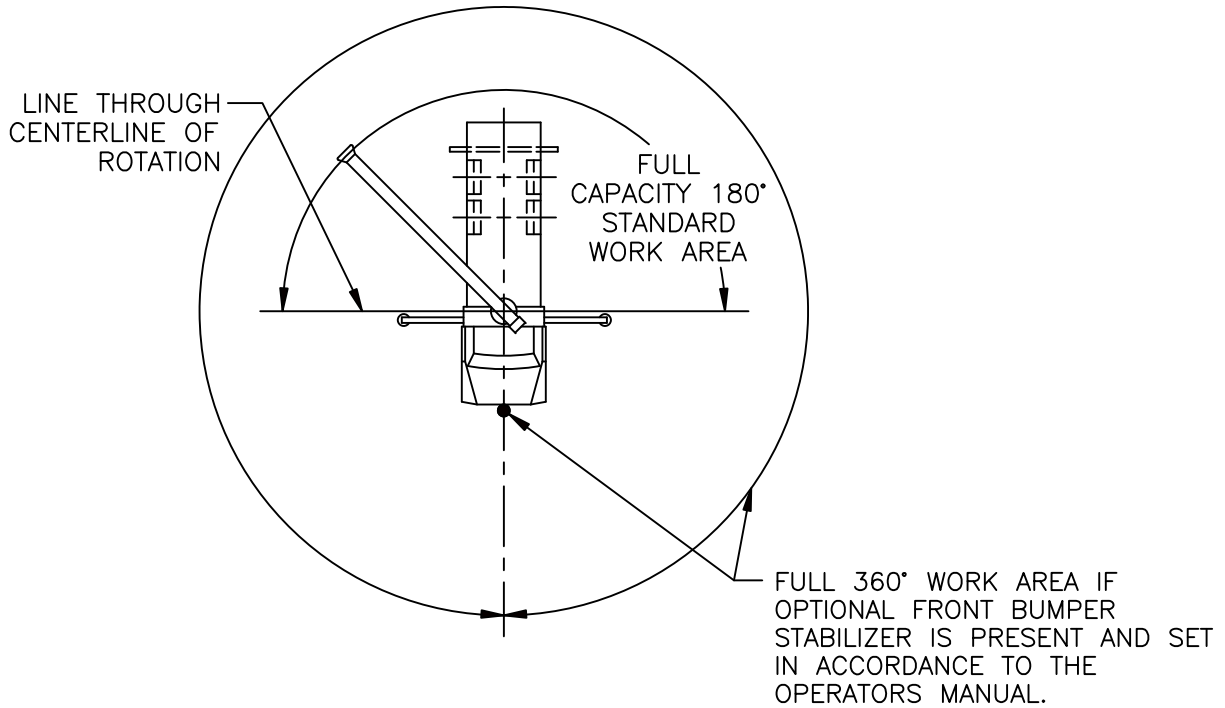
- FULLY RETRACTED SPREAD CONFIGURATION -

MAIN BOOM LMI CODE 13																	
LOAD RADIUS (FT)	30.5 FT		42 FT (A)		52 FT (B)		62 FT (C)		72 FT (D)		82 FT (E)		92 FT (F)		102 FT (G)		LOAD RADIUS (FT)
	LOADED BOOM ANGLE (DEG)	LOAD CAPACITY (LBS)	LOADED BOOM ANGLE (DEG)	CODE 1 LOAD CAPACITY (LBS)	LOADED BOOM ANGLE (DEG)	LOAD CAPACITY (LBS)	LOADED BOOM ANGLE (DEG)	LOAD CAPACITY (LBS)	LOADED BOOM ANGLE (DEG)	LOAD CAPACITY (LBS)	LOADED BOOM ANGLE (DEG)	LOAD CAPACITY (LBS)	LOADED BOOM ANGLE (DEG)	LOAD CAPACITY (LBS)	LOADED BOOM ANGLE (DEG)	LOAD CAPACITY (LBS)	
5	76.5	60000															5
8	70.5	25370															8
10	66.5	16260	73.5	16730	77.5	16970											10
12	62.5	11470	71	11900	75	12110	78	12260									12
15	55.5	7430	66.5	7820	71.5	8020	75.5	8140	78	8230	80	8300					15
20	42.5	3970	58.5	4340	65.5	4510	70.5	4630	74	4710	76.5	4770	78.5	4820	80	4850	20
25	24.5	2090	50	2470	59.5	2640	65.5	2750	69.5	2830	73	2890	75.5	2930	77.5	2960	25
30			39.5	1310	52.5	1480	60	1590	65	1660	69.5	1710	72	1750	74.5	1790	30
35							54.5	790	60.5	860	65.5	920	68.5	950	71.5	980	35
40																	40
45																	45
50																	50
55																	55
60																	60
65																	65
70																	70
75																	75
80																	80
85																	85
90																	90
95																	95
	500 LBS	360 LBS	290 LBS	250 LBS	210 LBS	190 LBS	170 LBS	150 LBS	FIXED JIB								
	740 LBS	540 LBS	440 LBS	370 LBS	320 LBS	280 LBS	250 LBS	220 LBS	TELE JIB								

DEDUCTIONS FROM MAIN BOOM CAPACITIES FOR STOWED JIB

ALLOWABLE LINE PULL							WARNING
1 PART LINE	2 PART LINE	3 PART LINE	4 PART LINE	5 PART LINE	6 PART LINE	7 PART LINE	
							<p>ANTI-TWO-BLOCK SYSTEM MUST BE IN GOOD OPERATING CONDITION BEFORE OPERATING CRANE.</p> <p>REFER TO THE OWNER'S MANUAL.</p> <p>KEEP AT LEAST 3 WRAPS OF LOAD LINE ON THE DRUM AT ALL TIMES.</p>
8500 LBS	17000 LBS	25500 LBS	34000 LBS	42500 LBS	51000 LBS	60000 LBS	9/16" 6X25 IWRC (3.5:1 SF) - 29750 LBS MIN BREAKING STRENGTH
7700 LBS	15400 LBS	23100 LBS	30800 LBS	38500 LBS	46200 LBS	53900 LBS	9/16" ROT RESISTANT (5.0:1 SF) - 38500 LBS MIN BREAKING STRENGTH

AREA OF OPERATION



DEDUCTIONS FROM RATED LOADS FOR LOAD HANDLING DEVICES SUPPLIED BY MANITEX

AUXILIARY BLOCK	—	—	—	—	—	—	—	—	—	—	—	—	—	—	—	—	—	50 LBS
AUXILIARY SHEAVE	—	—	—	—	—	—	—	—	—	—	—	—	—	—	—	—	—	50 LBS
OVERHAUL BALL	—	—	—	—	—	—	—	—	—	—	—	—	—	—	—	—	—	SEE OVERHAUL BALL MANUFACTURER NAMEPLATE
LOAD BLOCK	—	—	—	—	—	—	—	—	—	—	—	—	—	—	—	—	—	SEE BLOCK MANUFACTURER NAMEPLATE
HOSE REEL	—	—	—	—	—	—	—	—	—	—	—	—	—	—	—	—	—	140 LBS
SWING AROUND JIB	—	—	—	—	—	—	—	—	—	—	—	—	—	—	—	—	—	SEE LOAD CHART

LMI OPERATING CODES

SETTING	CRANE CONFIGURATION	OUTRIGGER CONFIGURATION
#1	— MAIN BOOM — — — — —	FULLY EXTENDED
#2	— FIXED JIB — — — — —	FULLY EXTENDED
#3	— TELESCOPIC JIB—RETRACTED — — — — —	FULLY EXTENDED
#4	— TELESCOPIC JIB—EXTENDED — — — — —	FULLY EXTENDED
#5	— PERSONNEL LIFTING PLATFORM ON MAIN BOOM — — — — —	FULLY EXTENDED
#6	— PERSONNEL LIFTING PLATFORM ON FIXED JIB — — — — —	FULLY EXTENDED
#7	— PERSONNEL LIFTING PLATFORM ON TELESCOPIC JIB—RETRACTED — — — — —	FULLY EXTENDED
#8	— PERSONNEL LIFTING PLATFORM ON TELESCOPIC JIB—EXTENDED — — — — —	FULLY EXTENDED
#9	— MAIN BOOM — — — — —	INTERMEDIATE
#10	— FIXED JIB — — — — —	INTERMEDIATE
#11	— TELESCOPIC JIB—RETRACTED — — — — —	INTERMEDIATE
#12	— TELESCOPIC JIB—EXTENDED — — — — —	INTERMEDIATE
#13	— MAIN BOOM — — — — —	FULLY RETRACTED

WARNING

1. THE OPERATOR MUST READ AND UNDERSTAND THE OWNER’S MANUAL BEFORE OPERATING THIS CRANE.

2. POSITIONING OR OPERATION OF CRANE BEYOND AREAS SHOWN ON THIS CHART IS NOT INTENDED OR APPROVED EXCEPT WHERE SPECIFIED IN OWNER’S MANUAL.

3. LOADED BOOM ANGLES AT SPECIFIED BOOM LENGTHS GIVE ONLY AN APPROXIMATION OF THE OPERATING RADIUS. THE BOOM ANGLE BEFORE LOADING SHOULD BE GREATER TO ACCOUNT FOR DEFLECTIONS. DO NOT EXCEED THE OPERATING RADIUS FOR RATED LOADS.

4. THE OPERATING RADIUS SHOWN IN THE JIB RATING CHART IS FOR FULLY EXTENDED BOOM ONLY. WHEN BOOM IS NOT FULLY EXTENDED, USE ONLY LOADED BOOM ANGLE TO DETERMINE LOAD RATING OF JIB.

5. FOR BOOM ANGLES NOT SHOWN ON JIB LOAD RATING CHART, USE RATING OF NEXT LOWER BOOM ANGLE.

6. FOR BOOM LENGTHS NOT SHOWN, USE RATING OF NEXT SHORTER OR LONGER BOOM LENGTH, WHICHEVER IS LESS. FOR RADII NOT SHOWN, USE RATING OF NEXT LONGER RADIUS.

7. CRANE LOAD RATINGS ON OUTRIGGERS ARE BASED ON FREELY SUSPENDED LOADS WITH THE MACHINE LEVELED AND STANDING ON A FIRM UNIFORM SUPPORTING SURFACE. NO ATTEMPT SHALL BE MADE TO MOVE A LOAD HORIZONTALLY ON THE GROUND IN ANY DIRECTION.

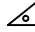
WARNING (CONTINUED)

8. PRACTICAL WORKING LOADS DEPEND ON SUPPORTING SURFACE, WIND, AND OTHER FACTORS AFFECTING STABILITY SUCH AS HAZARDOUS SURROUNDINGS, EXPERIENCE OF PERSONNEL, AND PROPER HANDLING, ALL OF WHICH MUST BE TAKEN INTO ACCOUNT BY THE OPERATOR.
9. THE MAXIMUM LOAD WHICH MAY BE TELESCOPED IS LIMITED BY HYDRAULIC PRESSURE, BOOM ANGLE, AND BOOM LUBRICATION. IT IS SAFE TO ATTEMPT TO TELESCOPE ANY LOAD WITHIN THE LIMITS OF THE LOAD RATING CHART.
10. LIFTING OFF THE MAIN BOOM POINT WHILE THE SWING AROUND JIB IS ERECTED IS NOT INTENDED OR APPROVED.

INFORMATION

1. DEDUCTIONS MUST BE MADE FROM RATED LOADS FOR STOWED JIB, OPTIONAL ATTACHMENTS, HOOKS, AND LOADBLOCKS (SEE DEDUCTION CHART). WEIGHTS OF SLINGS AND ALL OTHER LOAD HANDLING DEVICES SHALL BE CONSIDERED A PART OF THE LOAD.
2. LOAD RATINGS ABOVE THE HEAVY LINE ARE STRUCTURALLY LIMITED CAPACITIES. LOAD RATINGS BELOW THE HEAVY LINE ARE STABILITY LIMITED CAPACITIES AND DO NOT EXCEED 85% OF TIPPING.

DEFINITIONS

1. OPERATING RADIUS IS THE HORIZONTAL DISTANCE FROM THE AXIS OF ROTATION TO THE CENTER OF THE VERTICAL HOIST LINE OR TACKLE WITH LOAD APPLIED.
2. LOADED BOOM ANGLE AS SHOWN IN THE COLUMN HEADED BY , IS THE INCLUDED ANGLE BETWEEN THE HORIZONTAL AND LONGITUDINAL AXES OF THE BOOM BASE AFTER LIFTING RATED LOAD AT RATED RADIUS.